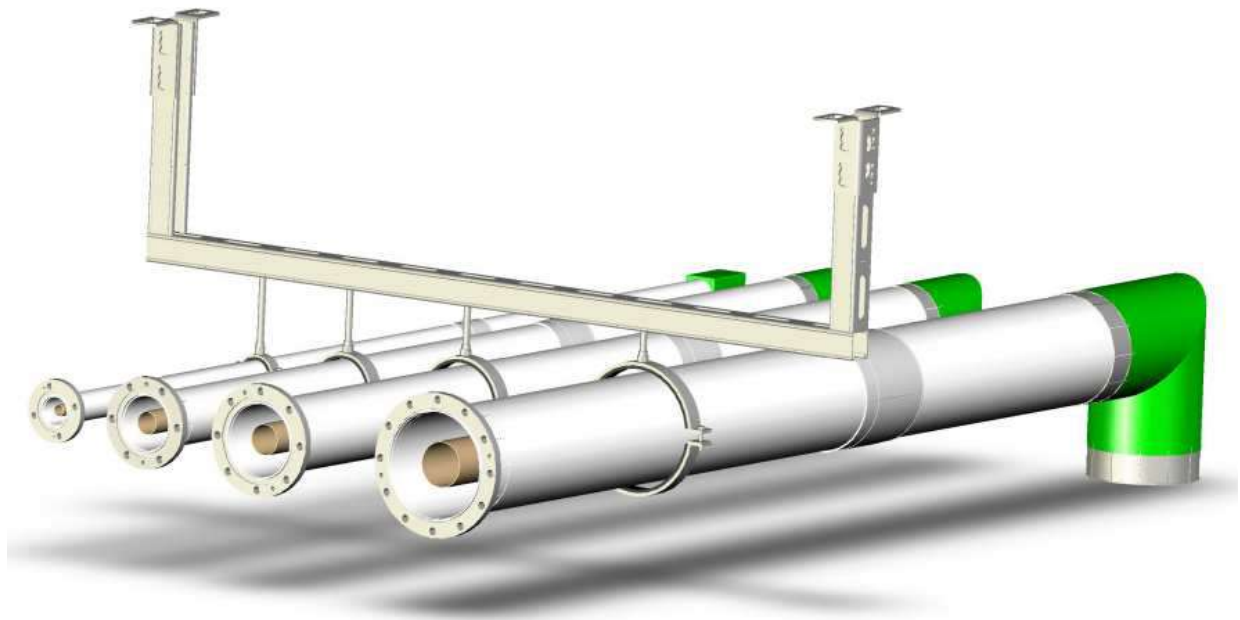
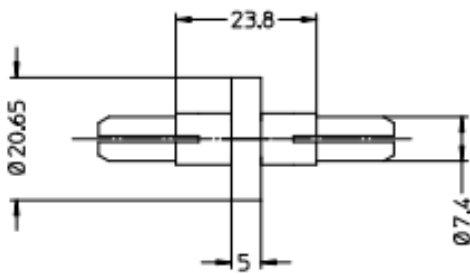
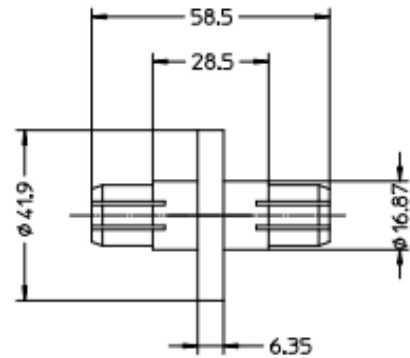
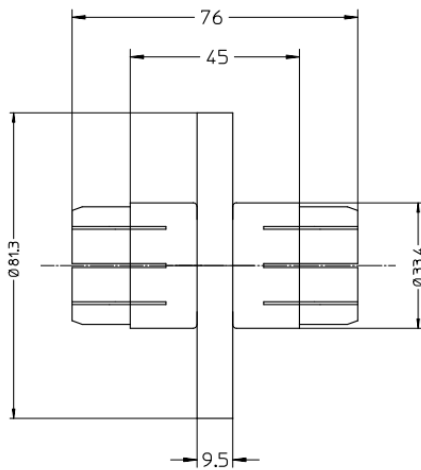
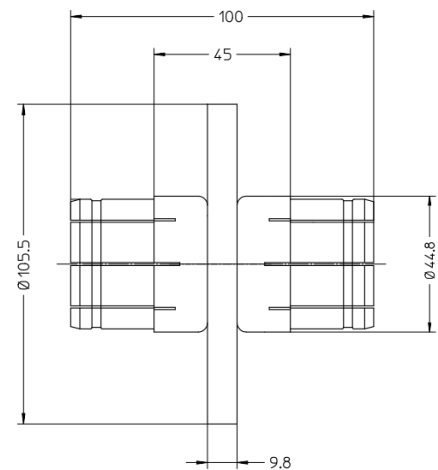


## Coaxial Accessories

*Electrolink can offer one of the widest ranges of RF components available in the market, like flanges, elbows, inners, connectors, reducers, coupling elements. The material used are aluminium, brass and copper. All the surfaces are chemical or galvanic treated, like alodine for aluminium, silver or nickel plating for brass and copper. These components are compliant with IEC 339 and EIA standard. Electrolink can provide RF Accessories in a large variety of dimensions: from 7/8" EIA to 6"1/8 EIA. All the RF Accessories are produced using only the highest quality materials, to ensure long-term and reliable performance.*

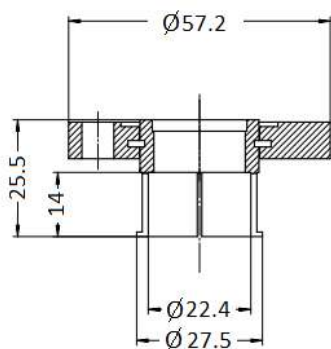
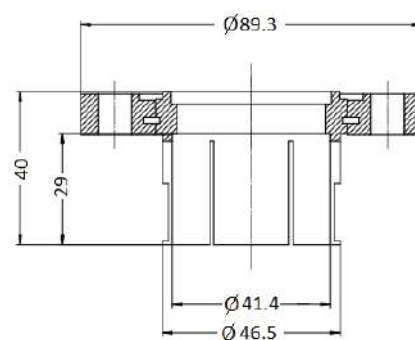
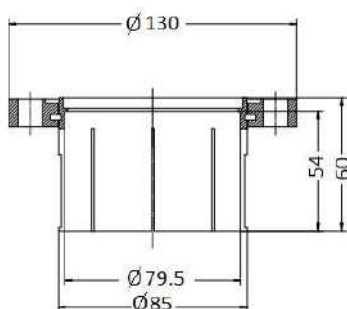
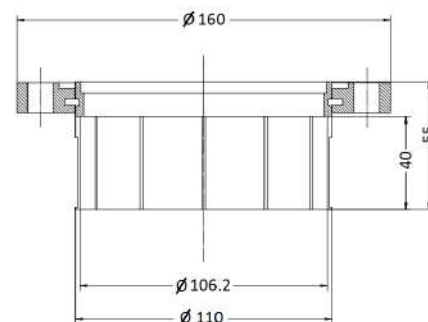


# Inners

**Model: 200300001**

**Model: 200300002**

**Model: 200300003**

**Model: 200300004**


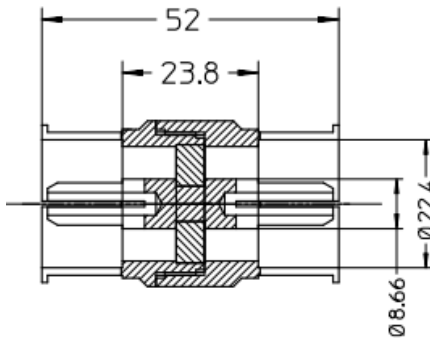
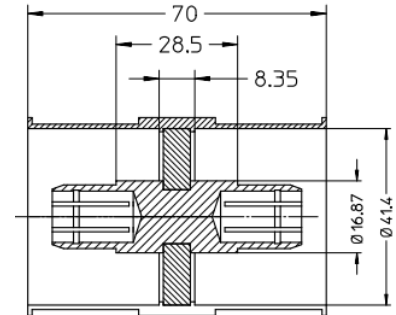
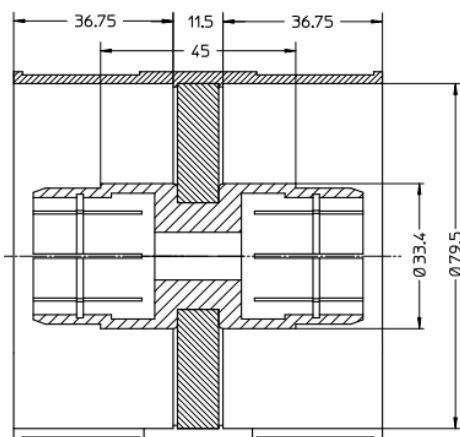
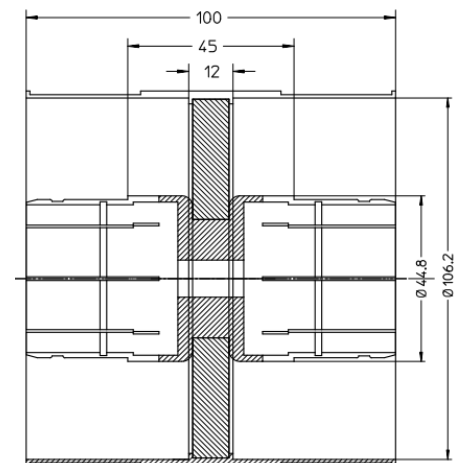
TECHNICAL SPECIFICATIONS	7/8"	1" 5/8	3" 1/8	4" 1/2
Code	200300001	200300002	200300003	200300004
Impedance	50Ω	50Ω	50Ω	50Ω
Average Power FM (II Band)	≤ 5kWrms	≤ 15kWrms	≤ 45kWrms	≤ 75kWrms
Average Power VHF (III Band)	≤ 3kWrms	≤ 7kWrms	≤ 25kWrms	≤ 50kWrms
Average Power UHF (IV/V Band)	≤ 2kWrms	≤ 5kWrms	≤ 12kWrms	≤ 25kWrms
Frequency Range	DC÷1GHz	DC÷1GHz	DC÷1GHz	DC÷1GHz
Working Voltage at sea level	2.5kV - 50/60Hz	4.7kV - 50/60Hz	9.5kV - 50/60Hz	12kV - 50/60Hz
Proof Voltage at sea level	3.8kV - 50/60Hz	7kV - 50/60Hz	14kV - 50/60Hz	19kV - 50/60Hz
Dielectric	Air	Air	Air	Air
Cut off frequency for H <sub>11</sub> mode	6.3GHz	3.2GHz	1.6GHz	1.2GHz

# Flanges

**Model: 200400001**

**Model: 200400002**

**Model: 200400003**

**Model: 200400004**


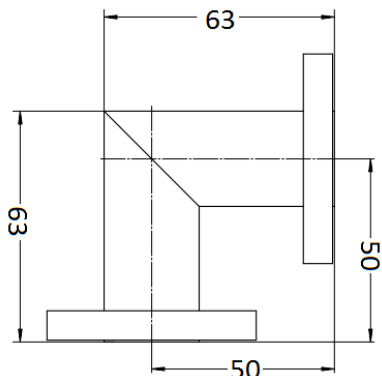
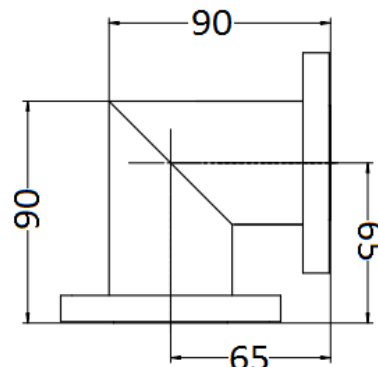
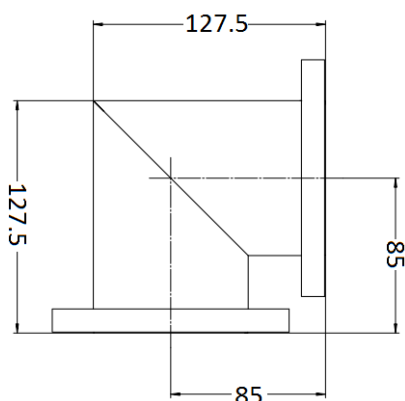
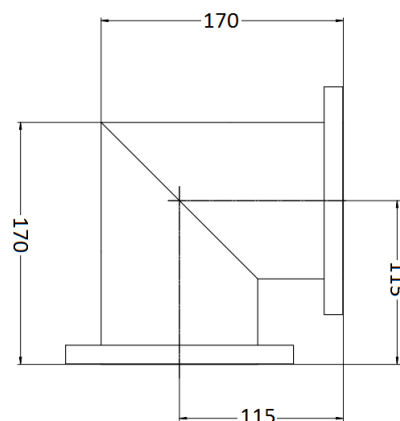
TECHNICAL SPECIFICATIONS	7/8"	1" 5/8	3" 1/8	4" 1/2
Code	200400001	200400002	200400003	200400004
Impedance	50Ω	50Ω	50Ω	50Ω
Average Power FM (II Band)	≤ 5kWrms	≤ 15kWrms	≤ 45kWrms	≤ 75kWrms
Average Power VHF (III Band)	≤ 3kWrms	≤ 7kWrms	≤ 25kWrms	≤ 50kWrms
Average Power UHF (IV/V Band)	≤ 2kWrms	≤ 5kWrms	≤ 12kWrms	≤ 25kWrms
Frequency Range	DC÷1GHz	DC÷1GHz	DC÷1GHz	DC÷1GHz
Working Voltage at sea level	2.5kV - 50/60Hz	4.7kV - 50/60Hz	9.5kV - 50/60Hz	12kV - 50/60Hz
Proof Voltage at sea level	3.8kV - 50/60Hz	7kV - 50/60Hz	14kV - 50/60Hz	19kV - 50/60Hz
Dielectric	Air	Air	Air	Air
Cut off frequency for H <sub>11</sub> mode	6.3GHz	3.2GHz	1.6GHz	1.2GHz

# Coupling Element

**Model: 200200001**

**Model: 200200002**

**Model: 200200003**

**Model: 200200004**


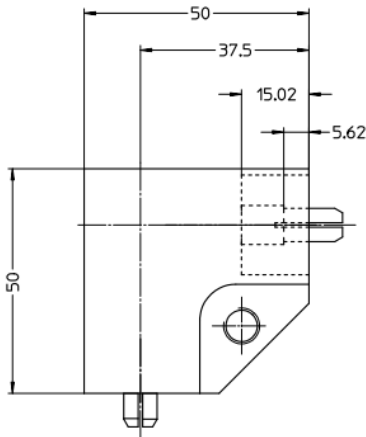
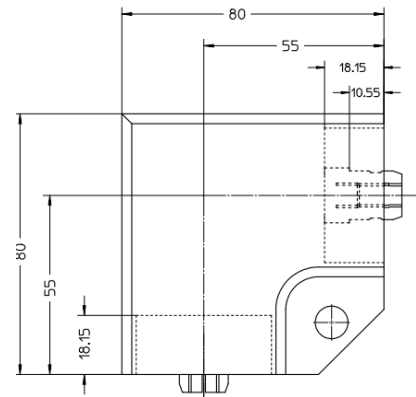
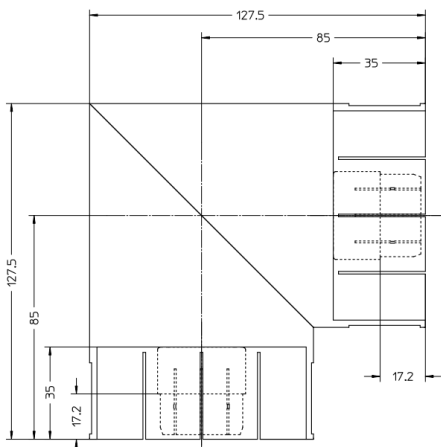
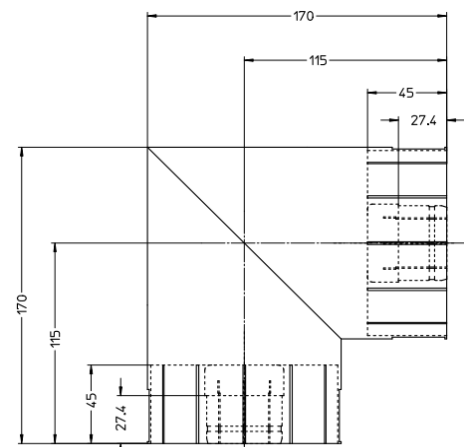
TECHNICAL SPECIFICATIONS	7/8"	1" 5/8	3" 1/8	4" 1/2
Code	200200001	200200002	200200003	200200004
Impedance	50Ω	50Ω	50Ω	50Ω
Average Power FM (II Band)	≤ 5kWrms	≤ 15kWrms	≤ 45kWrms	≤ 75kWrms
Average Power VHF (III Band)	≤ 3kWrms	≤ 7kWrms	≤ 25kWrms	≤ 50kWrms
Average Power UHF (IV/V Band)	≤ 2kWrms	≤ 5kWrms	≤ 12kWrms	≤ 25kWrms
Frequency Range	DC÷1GHz	DC÷1GHz	DC÷1GHz	DC÷1GHz
Working Voltage at sea level	2.5kV - 50/60Hz	4.7kV - 50/60Hz	9.5kV - 50/60Hz	12kV - 50/60Hz
Proof Voltage at sea level	3.8kV - 50/60Hz	7kV - 50/60Hz	14kV - 50/60Hz	19kV - 50/60Hz
Dielectric	Air	Air	Air	Air
Cut off frequency for H <sub>11</sub> mode	6.3GHz	3.2GHz	1.6GHz	1.2GHz

# Flanged Elbows

**Model: 200500001**

**Model: 200500002**

**Model: 200500003**

**Model: 200500004**


TECHNICAL SPECIFICATIONS	7/8"	1" 5/8	3" 1/8	4" 1/2
Code	200500001	200500002	200500003	200500004
Impedance	50Ω	50Ω	50Ω	50Ω
Average Power FM (II Band)	≤ 5kWrms	≤ 15kWrms	≤ 45kWrms	≤ 75kWrms
Average Power VHF (III Band)	≤ 3kWrms	≤ 7kWrms	≤ 25kWrms	≤ 50kWrms
Average Power UHF (IV/V Band)	≤ 2kWrms	≤ 5kWrms	≤ 12kWrms	≤ 25kWrms
Frequency Range	DC÷1GHz	DC÷1GHz	DC÷1GHz	DC÷1GHz
Working Voltage at sea level	2.5kV - 50/60Hz	4.7kV - 50/60Hz	9.5kV - 50/60Hz	12kV - 50/60Hz
Proof Voltage at sea level	3.8kV - 50/60Hz	7kV - 50/60Hz	14kV - 50/60Hz	19kV - 50/60Hz
Dielectric	Air	Air	Air	Air
Cut off frequency for H <sub>11</sub> mode	6.3GHz	3.2GHz	1.6GHz	1.2GHz

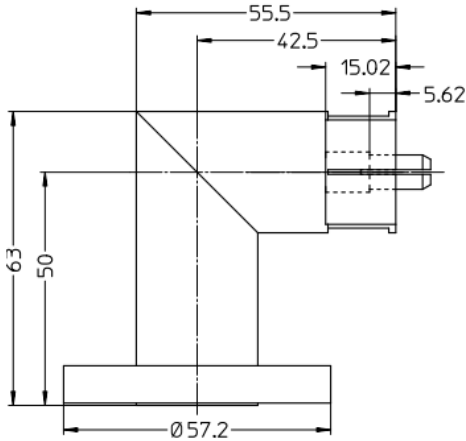
# Unflanged Male Elbows

**Model: 200500006**

**Model: 200500007**

**Model: 200500008**

**Model: 200500009**


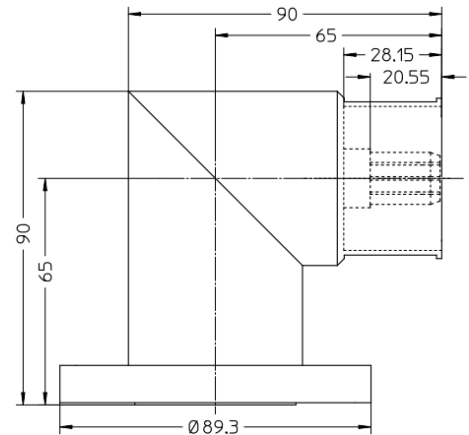
TECHNICAL SPECIFICATIONS	7/8"	1" 5/8	3" 1/8	4" 1/2
Code	200500006	200500007	200500008	200500009
Impedance	50Ω	50Ω	50Ω	50Ω
Average Power FM (II Band)	≤ 5kWrms	≤ 15kWrms	≤ 45kWrms	≤ 75kWrms
Average Power VHF (III Band)	≤ 3kWrms	≤ 7kWrms	≤ 25kWrms	≤ 50kWrms
Average Power UHF (IV/V Band)	≤ 2kWrms	≤ 5kWrms	≤ 12kWrms	≤ 25kWrms
Frequency Range	DC÷1GHz	DC÷1GHz	DC÷1GHz	DC÷1GHz
Working Voltage at sea level	2.5kV - 50/60Hz	4.7kV - 50/60Hz	9.5kV - 50/60Hz	12kV - 50/60Hz
Proof Voltage at sea level	3.8kV - 50/60Hz	7kV - 50/60Hz	14kV - 50/60Hz	19kV - 50/60Hz
Dielectric	Air	Air	Air	Air
Cut off frequency for H <sub>11</sub> mode	6.3GHz	3.2GHz	1.6GHz	1.2GHz

# Flanged Unflanged Male Elbows

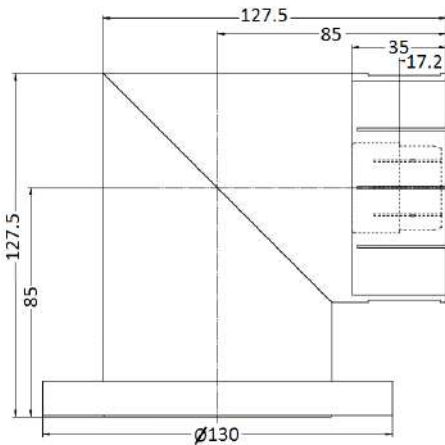
**Model: 200500011**



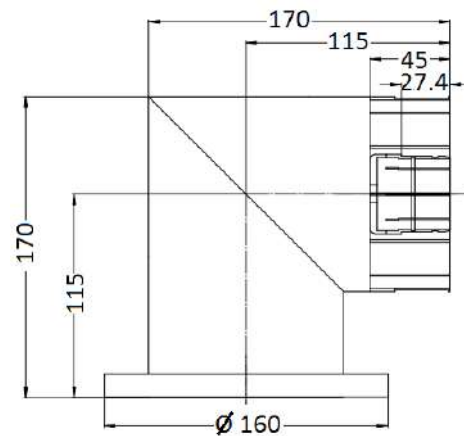
**Model: 200500012**



**Model: 200500013**

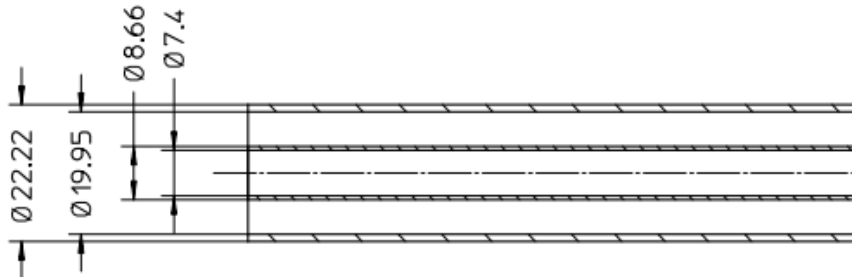


**Model: 200500014**

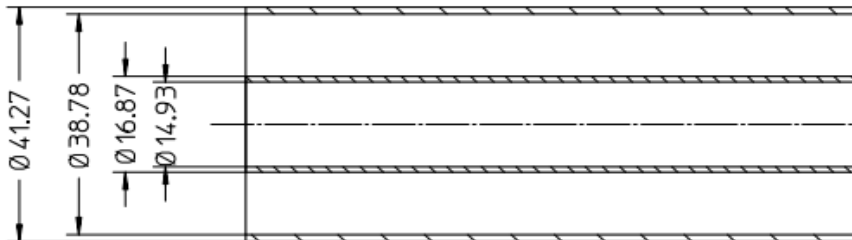


TECHNICAL SPECIFICATIONS	7/8"	1" 5/8	3" 1/8	4" 1/2
Code	200500011	200500012	200500013	200500014
Impedance	50Ω	50Ω	50Ω	50Ω
Average Power FM (II Band)	≤ 5kWrms	≤ 15kWrms	≤ 45kWrms	≤ 75kWrms
Average Power VHF (III Band)	≤ 3kWrms	≤ 7kWrms	≤ 25kWrms	≤ 50kWrms
Average Power UHF (IV/V Band)	≤ 2kWrms	≤ 5kWrms	≤ 12kWrms	≤ 25kWrms
Frequency Range	DC÷1GHz	DC÷1GHz	DC÷1GHz	DC÷1GHz
Working Voltage at sea level	2.5kV - 50/60Hz	4.7kV - 50/60Hz	9.5kV - 50/60Hz	12kV - 50/60Hz
Proof Voltage at sea level	3.8kV - 50/60Hz	7kV - 50/60Hz	14kV - 50/60Hz	19kV - 50/60Hz
Dielectric	Air	Air	Air	Air
Cut off frequency for H <sub>11</sub> mode	6.3GHz	3.2GHz	1.6GHz	1.2GHz

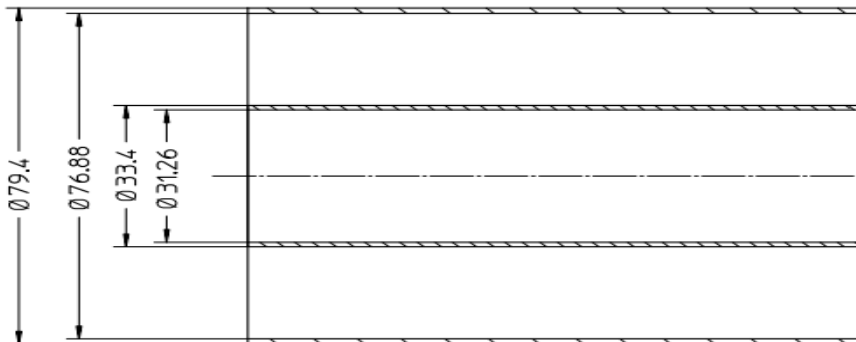
# Rigid Line



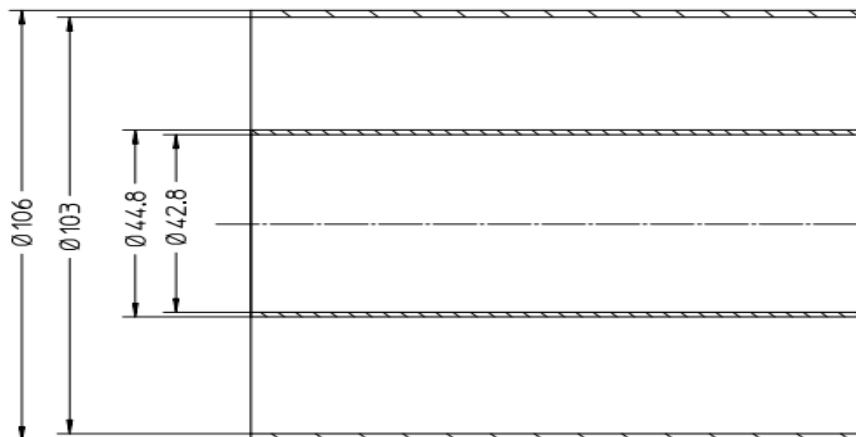
**Model: 200100001**  
**Rigid Line 7/8"**  
**Copper-Copper**



**Model: 200100002**  
**Rigid Line 1"5/8"**  
**Copper-Copper**

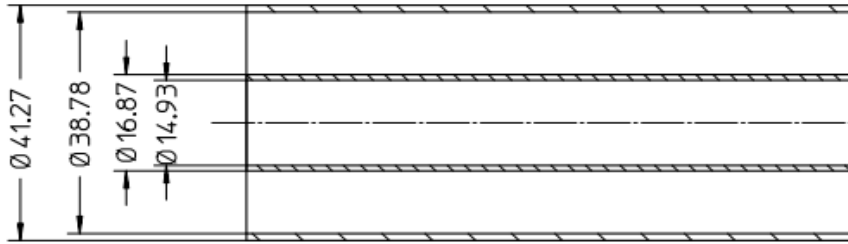


**Model: 200100003**  
**Rigid Line 3" 1/8**  
**Copper-Copper**

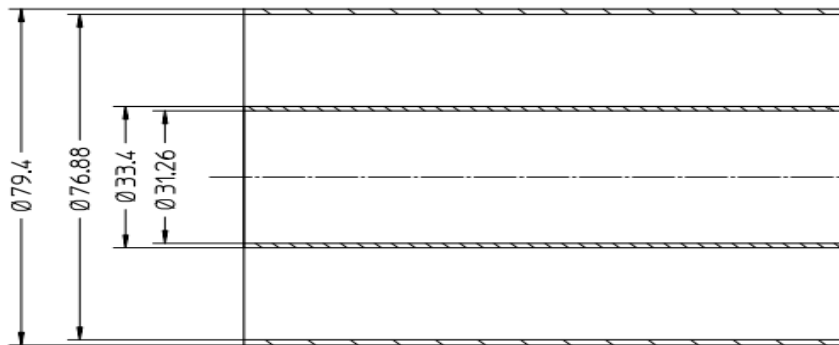


**Model: 200100004**  
**Rigid Line 4" 1/2**  
**Copper-Copper**





**Model: 200100012**  
**Rigid Line 1" 5/8**  
**Aluminium -Copper**



**Model: 200100013**  
**Rigid Line 3" 1/8**  
**Aluminium -Copper**

TECHNICAL SPECIFICATIONS	7/8"	1" 5/8	3" 1/8	4" 1/2
Code	200100001	200100002	200100003	200100004
Impedance	50Ω	50Ω	50Ω	50Ω
Average Power FM (II Band)	≤ 5kWrms	≤ 15kWrms	≤ 45kWrms	≤ 75kWrms
Average Power VHF (III Band)	≤ 3kWrms	≤ 7kWrms	≤ 25kWrms	≤ 50kWrms
Average Power UHF (IV/V Band)	≤ 2kWrms	≤ 5kWrms	≤ 12kWrms	≤ 25kWrms
Frequency Range	DC÷1GHz	DC÷1GHz	DC÷1GHz	DC÷1GHz
Working Voltage at sea level	2.5kV - 50/60Hz	4.7kV - 50/60Hz	9.5kV - 50/60Hz	12kV - 50/60Hz
Proof Voltage at sea level	3.8kV - 50/60Hz	7kV - 50/60Hz	14kV - 50/60Hz	19kV - 50/60Hz
Dielectric	Air	Air	Air	Air
Attenuation (dB/100m) FM (II Band)	1.35	0.75	0.38	0.3
Attenuation (dB/100m) VHF (III Band)	1.84	1.13	0.56	0.42
Attenuation (dB/100m) UHF (IV/V Band)	3.55	2.19	1.08	0.82
Cut off frequency for H <sub>11</sub> mode	6.3GHz	3.2GHz	1.6GHz	1.2GHz