

## 2 Way Coaxial Switch

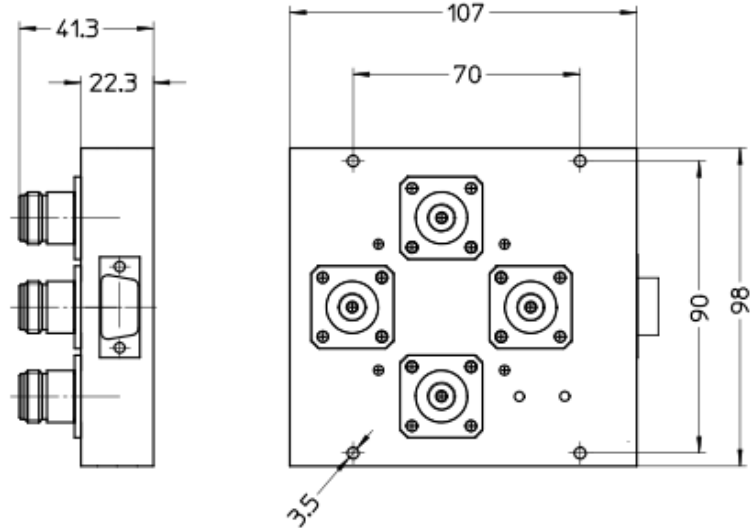
*Electrolink is proud to introduce its 2-Way plug-in Motor Switches, driven by 24V DC supply for radio and TV broadcasting applications. This product can be easily installed on any patch-panel for a safe and easy accessibility. Its fully broadband range (from 0 to 1GHz) makes it a suitable solution for any installation. Thanks to the manual override, users can switch manually, even in case of power supply absence. The switch position can be visible by means of the position indicator in both the front and rear panel. Moreover, a green led displays the power supply presence (Regular Power Supply) and a red led shows when the coaxial is switching from position one to position two and vice-versa. All the products are provided with interlock contacts for a safe RF Switching, with light indicators to show the correct and actual position of the connection and with memory of the last command. The products realized with the highest quality materials allow a rugged finishing and optimum RF performance including Insertion Loss, Return Loss and isolation*



## 2 Way Coaxial Switch N

**Model: 201100010**

- ☑ **RUGGED FINISHING**
- ☑ **LOW INSERTION LOSS**
- ☑ **MOTOR DRIVEN SWITCH**
- ☑ **AUTOMATIC OPERATION**



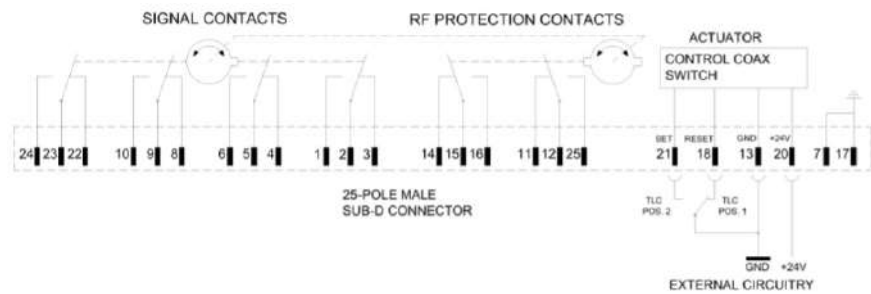
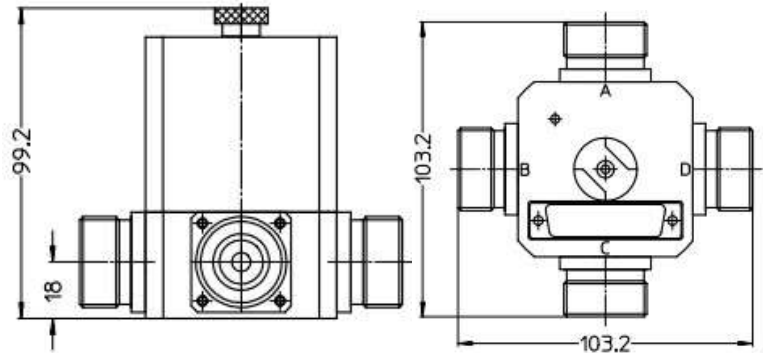
### TECHNICAL SPECIFICATIONS

Connectors	N Female (SMA on Request)
Frequency Range	DC ÷ 860MHz
Maximum Input Power	50W
Return Loss	> 30dB
Insertion Loss	< 0.1dB
Isolation	> 70dB
Switching Time	< 0.1s
Operating Voltage	5Vdc ±10%
Manual Switch	Available
Position Indicator	Available
Power Supply Indicator	Available
Last Command Memory	Available
Control Connector	D9 MALE
Operating Temperature	-5°C +45°C
Dimension	107x98x41.3mm
Weight	0.5KG

# 2 Way Coaxial Switch 7/16

**Model: 201100002**

- RUGGED FINISHING
- LOW INSERTION LOSS
- MOTOR DRIVEN SWITCH
- AUTOMATIC AND MANUAL OPERATION
- POWER SUPPLY INDICATOR
- POSITION LIGHT INDICATOR
- INTERLOCK CONTACT
- MECHANICAL FRICTION
- LAST COMMAND MEMORY



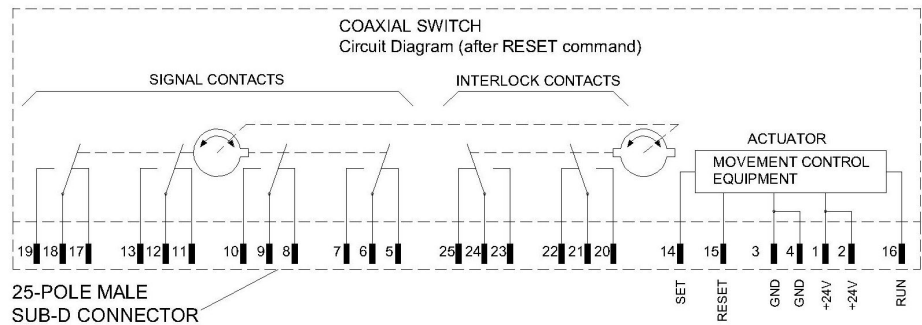
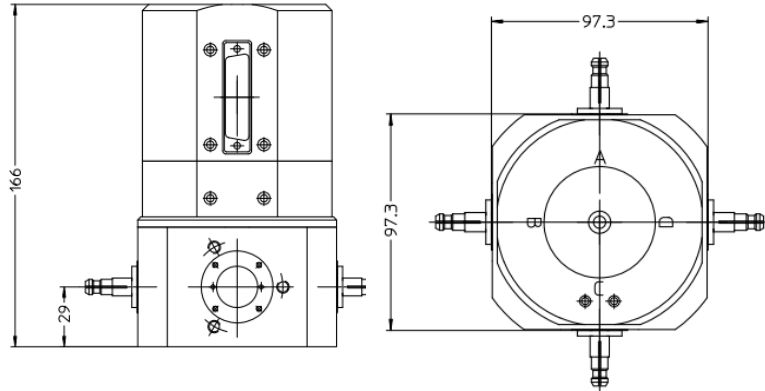
## TECHNICAL SPECIFICATIONS

Connectors	DIN 7/16 Female
Frequency Range	DC ÷ 1GHz
Maximum Input Power	3kW (FM II Band) - 2kW (VHF III Band) - 1kW (UHF IV/VBand)
Return Loss	> 30dB
Insertion Loss	< 0.05dB
Isolation	> 70dB
Switching Time	< 0.1s
Operating Voltage	24Vdc ±10%
Control Voltage	Ground Contact
Operating Current	< 0.9A
Life Time	> 250.000 Operation
Control Connector*	D Sub 25 Male
Ambient Temperature Range	-5°C to +45°C
Dimension	103.2 x 103.2 x 99.2 mm
Weight	1Kg
Working Position	Any

# 2 Way Coaxial Switch 7/8"

**Model: 201100003**

- ☑ RUGGED FINISHING
- ☑ LOW INSERTION LOSS
- ☑ MOTOR DRIVEN SWITCH
- ☑ AUTOMATIC AND MANUAL OPERATION
- ☑ POWER SUPPLY INDICATOR
- ☑ POSITION LIGHT INDICATOR
- ☑ INTERLOCK CONTACT
- ☑ MECHANICAL FRICTION
- ☑ LAST COMMAND MEMORY



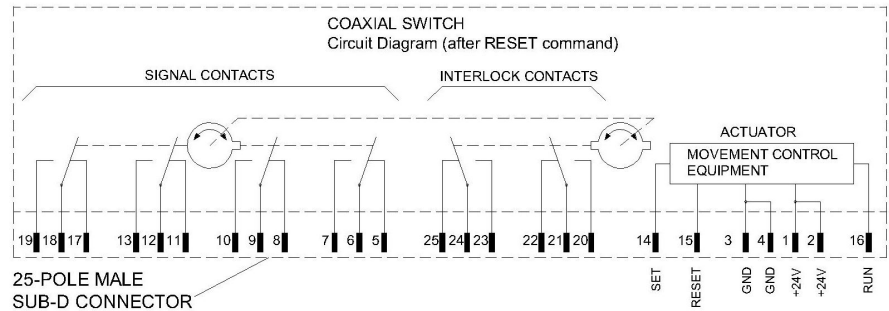
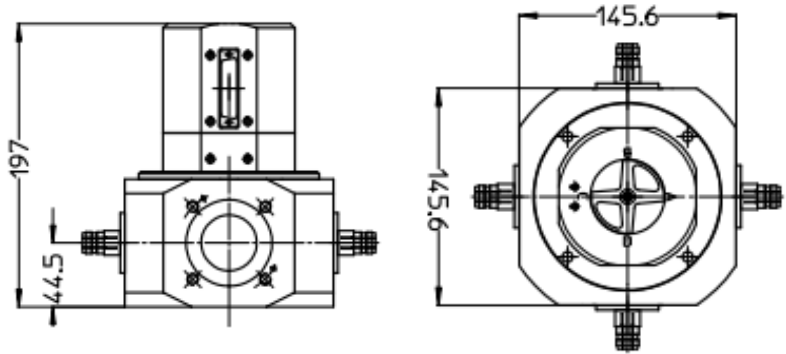
## TECHNICAL SPECIFICATIONS

Connectors	EIA 7/8"
Frequency Range	DC ÷ 1GHz
Maximum Input Power	5kW (FM II Band) - 4kW (VHF III Band) - 2kW (UHF IV/VBand)
Return Loss	> 30dB
Insertion Loss	< 0.05dB
Isolation	> 70dB
Switching Time	< 1.2s
Operating Voltage	24Vdc ±10%
Control Voltage	Ground Contact
Operating Current	< 0.3A
Life Time	> 250.000 Operation
Control Connector*	D Sub 25 Male
Ambient Temperature Range	-5°C to +45°C
Dimension	97.3 x 97.3 x 166 mm
Weight	2.5Kg
Working Position	Any

# 2 Way Coaxial Switch 1"5/8

**Model: 201100004**

- RUGGED FINISHING
- LOW INSERTION LOSS
- MOTOR DRIVEN SWITCH
- AUTOMATIC AND MANUAL OPERATION
- POWER SUPPLY INDICATOR
- POSITION LIGHT INDICATOR
- INTERLOCK CONTACT
- MECHANICAL FRICTION
- LAST COMMAND MEMORY



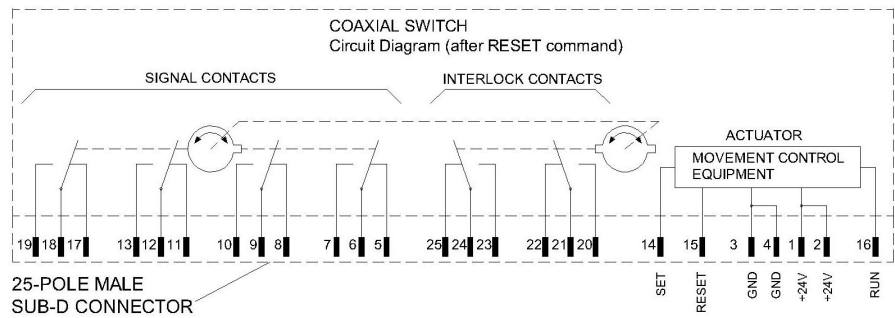
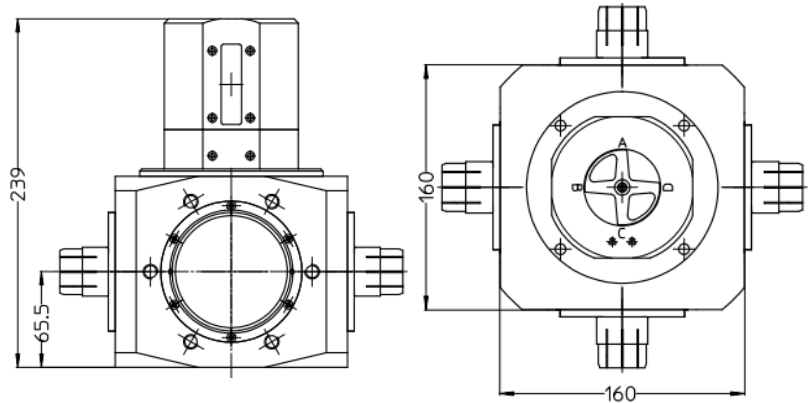
## TECHNICAL SPECIFICATIONS

Connectors	EIA 1 5/8"
Frequency Range	DC ÷ 1GHz
Maximum Input Power	12kW (FM II Band) - 8kW (VHF III Band) - 5kW (UHF IV/VBand)
Return Loss	> 30dB
Insertion Loss	< 0.05dB
Isolation	> 70dB
Switching Time	< 1.2s
Operating Voltage	24Vdc ±10%
Control Voltage	Ground Contact
Operating Current	< 0.3A
Life Time	> 250.000 Operation
Control Connector*	D Sub 25 Male
Ambient Temperature Range	-5°C to +45°C
Dimension	145.6 x 145.6 x 197 mm
Weight	5Kg
Working Position	Any

# 2 Way Coaxial Switch 3" 1/8

**Model: 201100005**

- ✓ **RUGGED FINISHING**
- ✓ **LOW INSERTION LOSS**
- ✓ **MOTOR DRIVEN SWITCH**
- ✓ **AUTOMATIC AND MANUAL OPERATION**
- ✓ **POWER SUPPLY INDICATOR**
- ✓ **POSITION LIGHT INDICATOR**
- ✓ **INTERLOCK CONTACT**
- ✓ **MECHANICAL FRICTION**
- ✓ **LAST COMMAND MEMORY**



## TECHNICAL SPECIFICATIONS

Connectors	EIA 3" 1/8
Frequency Range	DC ÷ 1GHz
Maximum Input Power	40kW (FM II Band) - 20kW (VHF III Band) - 12kW (UHF IV/VBand)
Return Loss	> 30dB
Insertion Loss	< 0.05dB
Isolation	> 70dB
Switching Time	< 1.2s
Operating Voltage	24Vdc ±10%
Control Voltage	Ground Contact
Operating Current	< 0.3A
Life Time	> 250.000 Operation
Control Connector*	D Sub 25 Male
Ambient Temperature Range	-5°C to +45°C
Dimension	160 x 160 x 239 mm
Weight	11Kg
Working Position	Any